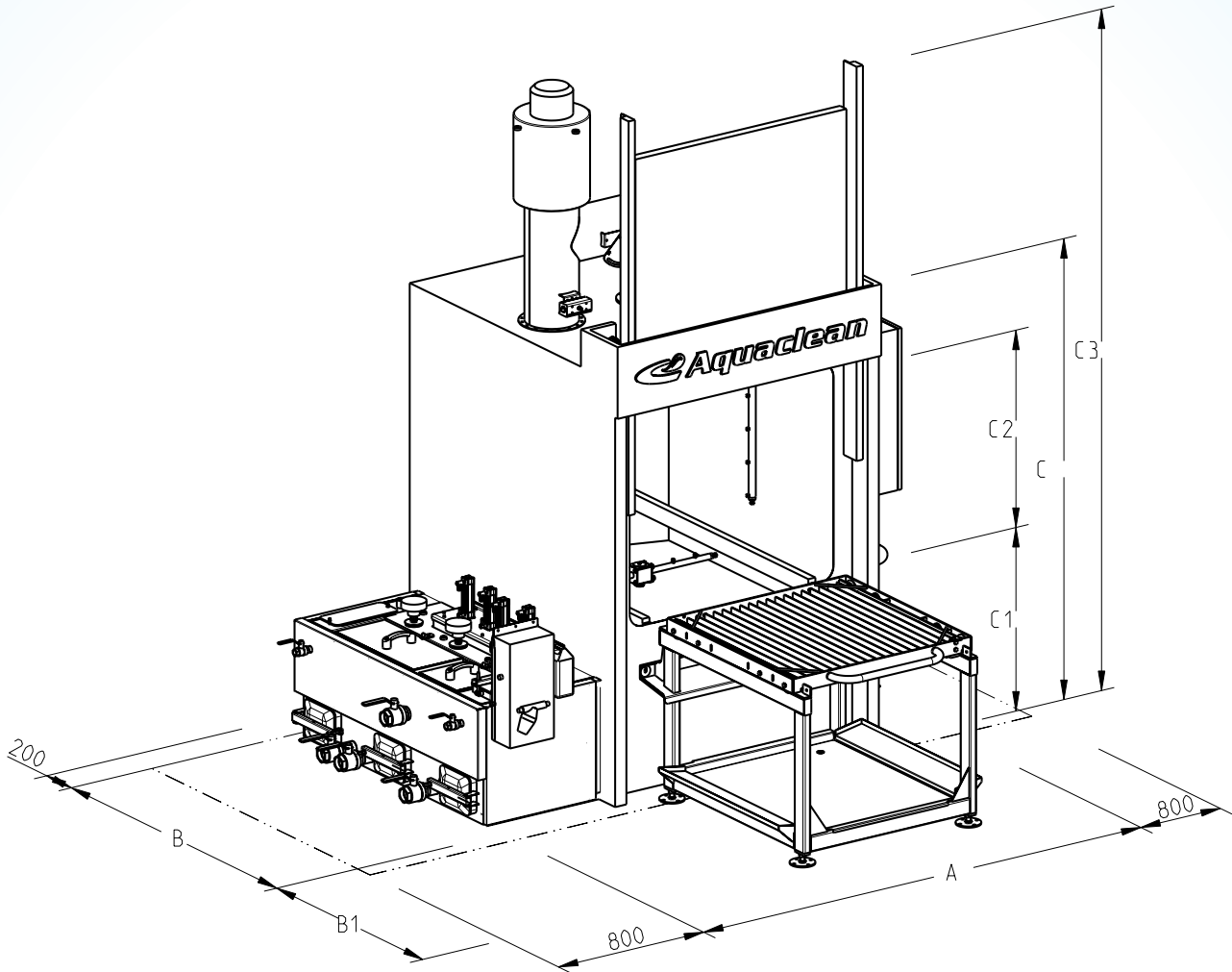


Main technical data for an aqueous spray cleaning machine, for cleaning heights 900, 1200, 1500 and 1800 mm.



MAIN DIMENSIONS (mm)		AC-2.0-3LD (C2=900)	AC-2.0-C12-3LD (C2=1200)	AC-2.0-C15-3LD (C2=1500)	AC-2.0-C18-3LD (C2=1800)
Width	A	3680	3680	3680	3680
Depth	B	2290	2290	2290	2290
	B1	1770	1770	1770	1770
Height	C	2420	2720	3020	3320
	C1	910	910	910	910
	C2	900	1200	1500	1800
	C3	3390	3990	4590	5190
Load Carriage	L x W	1600	1600	1600	1600



TECHNICAL DATA		AC-2.0-3LD (C2=900)	AC-2.0-C12-3LD (C2=1200)	AC-2.0-C15-3LD (C2=1500)	AC-2.0-C18-3LD (C2=1800)
Tank volume l	Tank 1	800	800	800	800
	Tank 2	650	650	650	650
	Tank 3	600	600	600	600
Heating capacity kW	Tank 1	36	36	36	36
	Tank 2	12	123	12	12
	Tank 3	24	24	24	24
Pump flow l/min	Stage 1	500	540	630	670
	Stage 2	420	460	510	540
	Stage 3	420	460	510	540
Pump pressure bar	Stage 1	4.5	4.5	5.0	5.0
	Stage 2	3.0	3.0	2.8	2.8
	Stage 3	3.0	3.0	2.8	2.8
Pump motor kW	Stage 1	7.5	7.5	11	11
	Stage 2	4.0	4.0	4.0	4.0
	Stage 3	4.0	4.0	4.0	4.0
Max. component dimensions	L x W mm	1600	1600	1600	1600
	Height mm	900	1200	1500	2000
	Diam. mm	1800	1800	1800	1800
	Weight kg	1000	1000	1000	1000
Machine weight	kg	2400	2500	2600	2700
Connection power	kW	73	73	73	73